



The 5200 Series is also available in a **Complete One Box Solution**

# 5200 Series

## The grade 1 solution with horizontal adjustability

Shown with 501 Option

The 5200 series electric strikes feature an in-frame horizontal adjustable design to simplify the installation process. This feature allows the installer to easily adjust the electric strike opening to accommodate the horizontal position of the latchbolt after the strike has been installed. This field selectable fail secure/fail safe unit is easy to install and accommodates latchbolts up to 3/4" throw.



### Specifications

- UL 1034, burglary-resistant listed
- UL 294 (6th Edition) listed
- ANSI/BHMA A156.31, Grade 1
- RoHS compliant
- Patent: 5,934,720

### Electrical

- .24 Amps at 12 VDC/VAC
- .12 Amps at 24 VDC/VAC
- DC continuous duty/ AC intermittent duty only
- PoE friendly

### Frame Application

- Metal
- Wood

## 5200 Models

5200	Universal electric strike	Faceplate options ordered separately, see page 26
5200C	Complete electric strike	Includes the 501 and 501A faceplates
RF5210	Integrated Prox	Includes the strike body, Prox reader and door position switch
IC5220	Integrated iCLASS®	Includes the strike body, iCLASS reader and door position switch

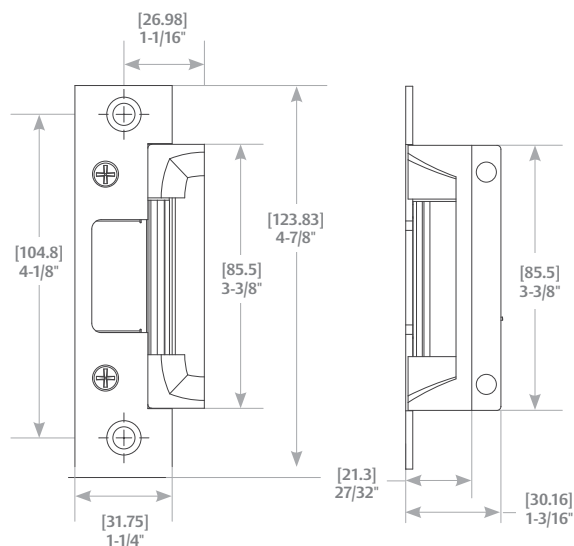


Diagram shown with 501 Option

### Standard Features

- Tamper-resistant
- Static strength 1,500 lbs.
- Dynamic strength 70 ft-lbs.
- Endurance 500,000 cycles
- Field selectable fail secure/fail safe
- Dual-voltage 12 or 24 VDC/VAC
- In-frame horizontal adjustment
- Non-handed
- Internally mounted solenoid
- Accommodates 5/8" - 3/4" latchbolt (3/4" with 1/8" door gap)
- Strike body depth 1-3/16"
- Plug-in connector
- Trim enhancer included
- Five-year limited warranty

### Optional Features

**LBM** » Latchbolt monitor

**LBSM** » Latchbolt strike monitor

### Accessories

**5200-500** » Filler block for retro-fit applications

**150** » Strike latch guard

**154-MTK** » Metal template kit

**2001M** » Plug-in bridge rectifier

**2004M** » ElectroLynx® adapter

**2005M3** » SMART Pac® III

**2006M** » Plug-in buzzer

**5204-1/2** » 1/2" stackable lip extension

**5204-1** » 1" stackable lip extension

**5204-1-1/4** » 1-1/4" stackable lip extension

### Finishes

**630** » Satin stainless steel

**605** » Bright brass

**606** » Satin brass

**612** » Satin bronze

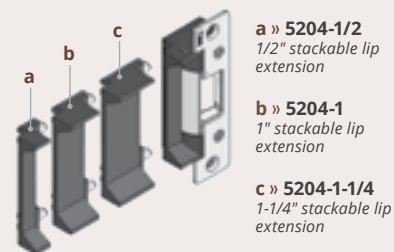
**613** » Bronze toned

**629** » Bright stainless steel

**BLK** » Black

\*Complete Pacs are only available in the 630 finish

### "Press Fit" Stackable Lip Extensions



CYLINDRICAL  
LOCKSETS



SPECIALTY  
LOCKSETS



FIELD SELECTABLE  
(12 OR 24VDC)



FIELD SELECTABLE  
(FAIL SECURE/  
FAIL SAFE)



GRADE 1



UL 1034  
BURGLARY  
LISTED

hes  
ASSA ABLOY

# 5000/5200 Series Faceplate Options



**Operation:** After releasing the latchbolt, the keeper returns to the locked position



4-7/8" × 1-1/4"

Square corners and flat faceplate

## 501 Option

**For use with:** Cylindrical locksets in ANSI metal jambs

» ANSI/BHMA Numbers: E09321, E09322, E09323



4-7/8" × 1-1/4"

Radius corners and flat faceplate

## 501A Option

**For use with:** Cylindrical locksets or spring latches in aluminum frames. Includes universal mounting tabs.

» ANSI/BHMA Numbers: E09321, E09322, E09323



7-15/16" × 1-7/16"

Radius corners and flat faceplate

## 502 Option

**For use with:** Cylindrical locksets or spring latches in aluminum frames. Includes universal mounting tabs.

» ANSI/BHMA Numbers: E09321, E09322, E09323



6-7/8" × 1-1/4"

Radius corners and flat faceplate

## 503 Option

**For use with:** Cylindrical locksets or spring latches in aluminum frames. Includes universal mounting tabs.

» ANSI/BHMA Numbers: E09321, E09322, E09323



10" × 1-3/8"

Radius corners and flat faceplate

## 504 Option

**For use with:** Cylindrical locksets. Four-point mounting for wood installations

» ANSI/BHMA Numbers: E09321, E09322, E09323



"For use with" information is offered as a recommendation only. Reference should be made to the lockset manufacturer for proper installation instructions necessary to meet compatibility requirements.